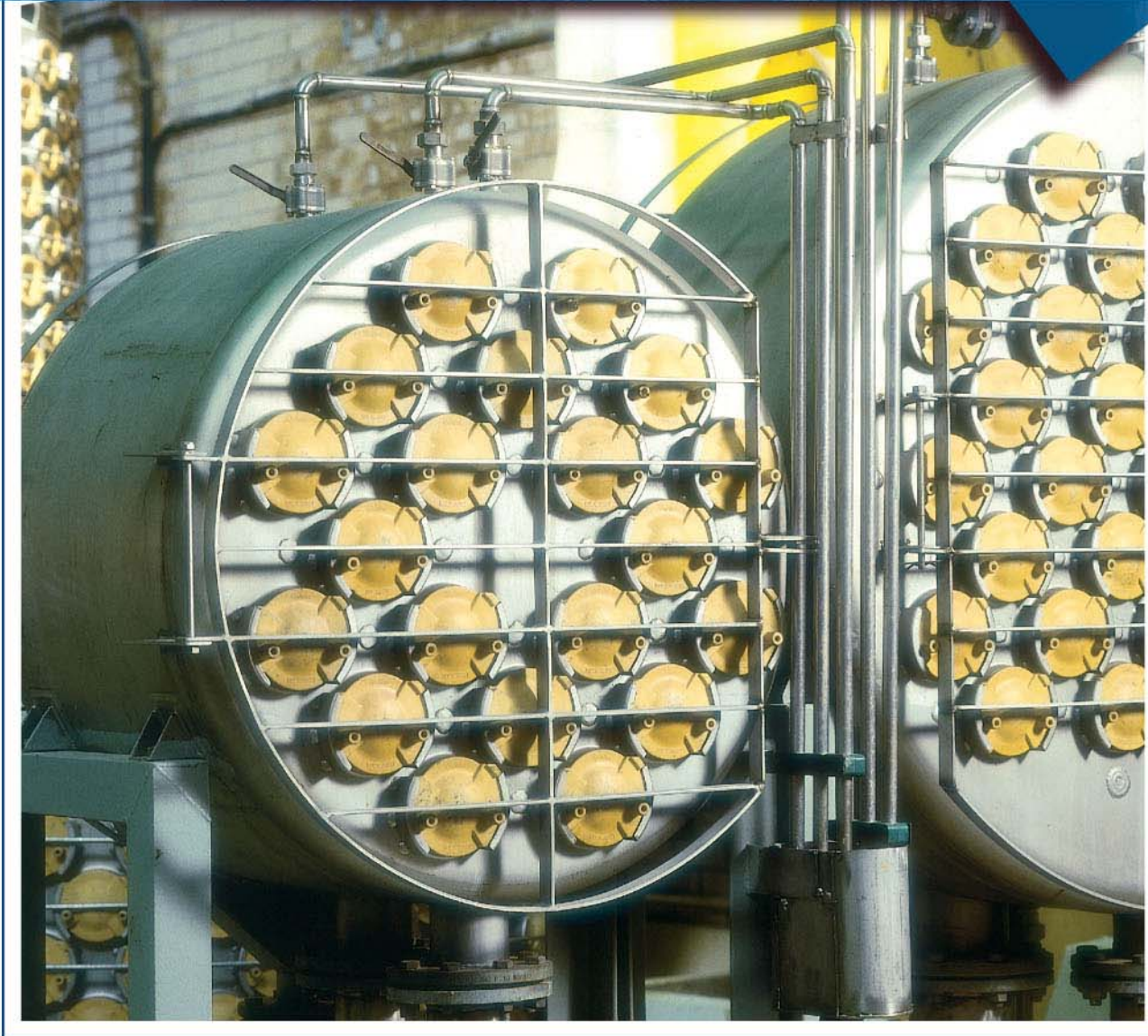


# RADICLONE AM80 AM125 BM80

FIBER RECOVERY UNITS



- **HIGH EFFICIENCY**
- **LOW POWER CONSUMPTION**
- **RELIABLE OPERATION**

Noss AB  
Box 20  
SE-601 02 Norrköping  
SWEDEN  
Telephone +46 11 23 15 00  
Telefax +46 11 13 59 23  
E-mail info@noss.se

Noss Company  
2500 Park Central Blvd.  
Decatur, GA 30035  
USA  
Telephone +1 770 981 9550  
Telefax +1 770 981 3572  
E-mail info@noss.com

Noss Canada Inc.  
227-G Brunswick Blvd. Pointe-Claire  
Quebec, H9R 4X5  
CANADA  
Telephone +1 514 697 2029  
Telefax +1 514 697 6068  
E-mail info@noss.com

Noss KK  
24-11, Kasuga 2-Chome  
Bunkyo-ku, Tokyo 112-0003  
JAPAN  
Telephone +81 3 3811 8737  
Telefax +81 3 3811 0807  
E-mail nossk@noss.com

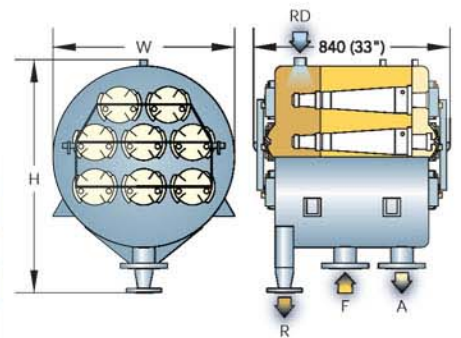
# RADICLONE AM80 AM125 BM80

RADICLONE fiber recovery units consist of pressurized canisters manufactured of stainless steel EN 1.4404 (316L) in which the hydrocyclones are installed. Maximum allowed inlet pressure for standard units are 300 kPa (43 psi), 350 kPa (50 psi) or 500 kPa (72 psi) depending on application.

All RADICLONE AM80 and AM125 fiber recovery units are operating with reject dilution, which improves runnability in terms of stable operation of the reject lines. The reversed cycloning recovery units RADICLONE BM80 are designed to minimize the final reject from the system.

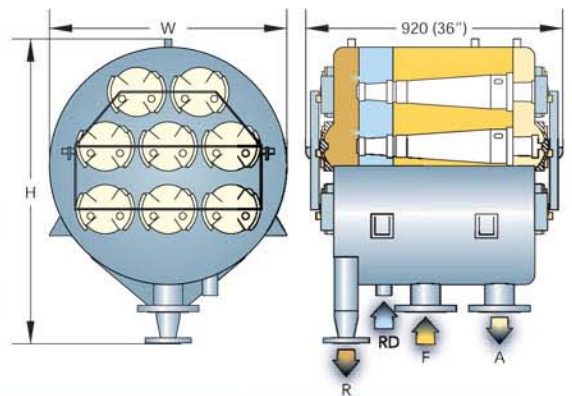
## AM80

SIZE	Capacity with AM80-C hydrocyclones		Capacity with AM80-D, -G hydrocyclones		H		W		F		A		R	RD	
	l/min	USGPM	l/min	USGPM	mm	in	mm	in	mm	in	mm	in	mm	in	*Pipe thread
AM80A-4	400	106	520	137	678	27	450	18	50	2	50	2	50	2	1 1/4"
AM80A-8	800	211	1040	275	905	36	650	26	80	3	80	3	50	2	1 1/2"
AM80A-12	1200	317	1560	412	1023	40	750	30	100	4	100	4	50	2	1 1/2"
AM80A-20	2000	528	2600	687	1267	50	950	37	100	4	100	4	50	2	2
AM80A-34	3400	898	4420	1168	1700	67	1300	51	150	6	150	6	80	3	2



## AM125

SIZE	Capacity		H		W		F		A		R	RD	
	l/min	USGPM	mm	in	mm	in	mm	in	mm	in	mm	in	
AM125A-4	1000	264	862	34	600	24	80	3	80	3	50	2	1"
AM125A-8	2000	528	1150	45	850	34	100	4	100	4	50	2	1 1/2"
AM125A-12	3000	793	1439	57	1100	43	150	6	150	6	50	2	1 1/2"
AM125A-20	5000	1321	1782	70	1400	55	200	8	200	8	50	2	2



## BM80

SIZE	Capacity		H		W		F		A		R	RB
	l/min	USGPM	mm	in	mm	in	mm	in	mm	in	*Pipe thread	Pipe thread
BM80-4	368	97	590	23	450	18	50	2	50	2	1"	1
BM80-8	736	194	790	31	650	26	80	3	80	3	1 1/4"	1
BM80-12	1104	292	890	35	750	30	80	3	80	3	1 1/2"	1
BM80-20	1840	486	1100	43	950	37	100	4	100	4	2	1 1/4"
BM80-34	3128	826	1450	57	1300	51	150	6	150	6	3	1 1/4"

