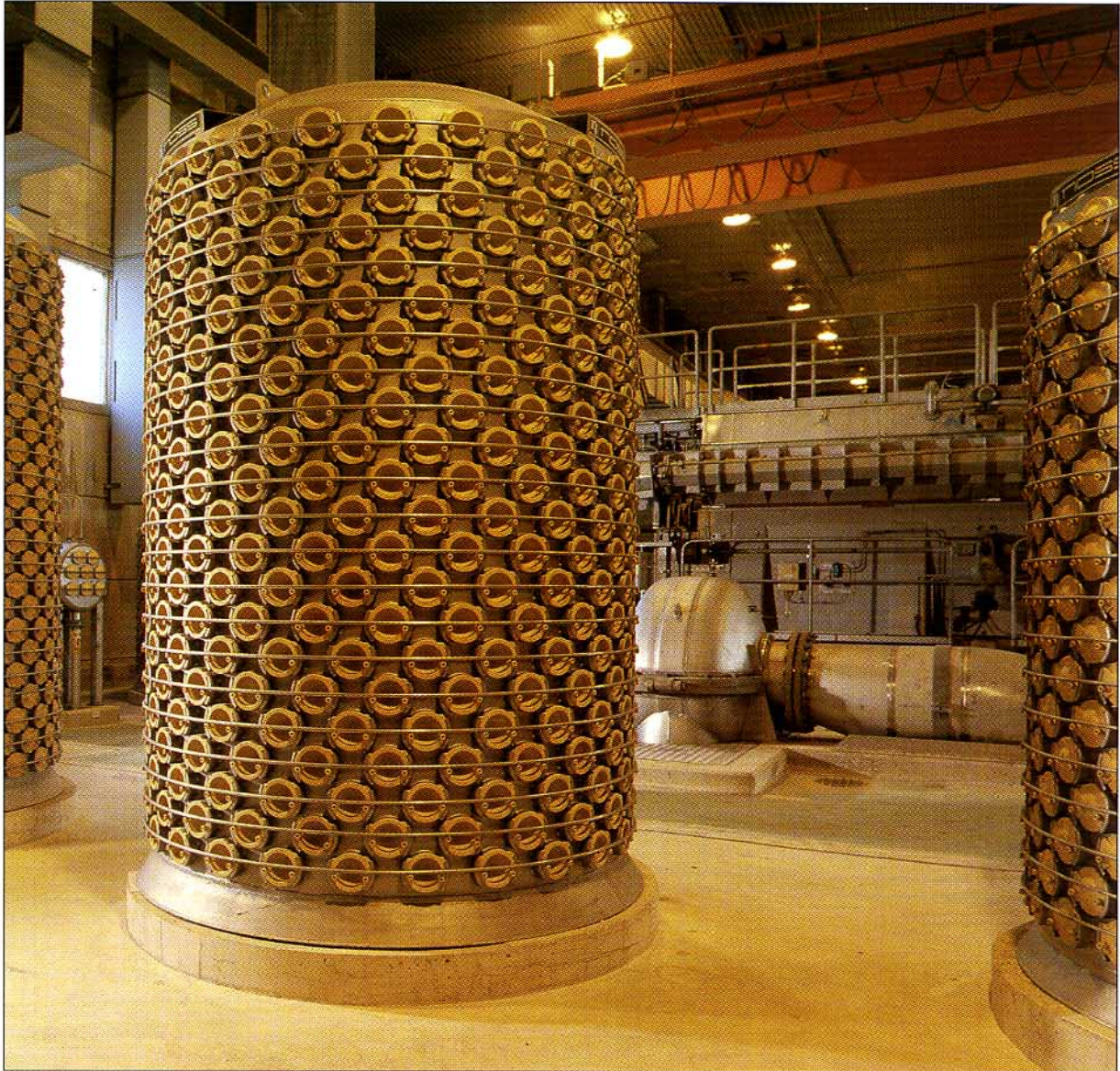


Radiclone BM80

Separation of lightweight contaminants
and thickening



High production
Low power consumption
Reliable



Noss AB
Box 20
S-601 02 Norrköping
SWEDEN
Telephone + 46 (0)11-23 15 00
Telefax + 46 (0)11-13 59 23

Noss Company
2500 Park Central Blvd.
Decatur, GA 30035
USA
Telephone + 1 770-981-9550
Telefax + 1 770-981-3572

Noss Canada Inc.
227-G Brunswick Boulevard
Pointe-Claire, Quebec H9R 4X5
CANADA
Telephone + 1 514-697-2029
Telefax + 1 514-697-6068

Noss KK
24-11, Kasuga 2-Chome
Bankyo-ku, Tokyo 112-0003
JAPAN
Telephone + 81 3-3811-8737
Telefax + 81 3-3811-0807

Radiclone BM80

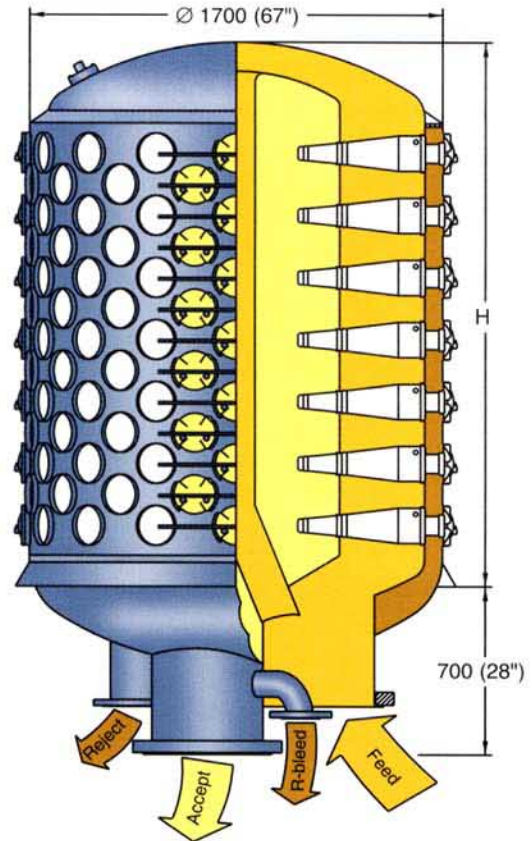
The RADICLONE BM80 is a pressurized canister, manufactured of stainless steel SS142343 (superior to AISI 316) in which 80 mm (3") hydrocyclones are installed. Maximum allowed inlet pressure for standard units is 350 kPa (50 psi). Higher pressure ratings are available on request.

The BM80 hydrocyclones are manufactured by Noss in different elastic materials to resist heat, chemicals and wear depending on the application.

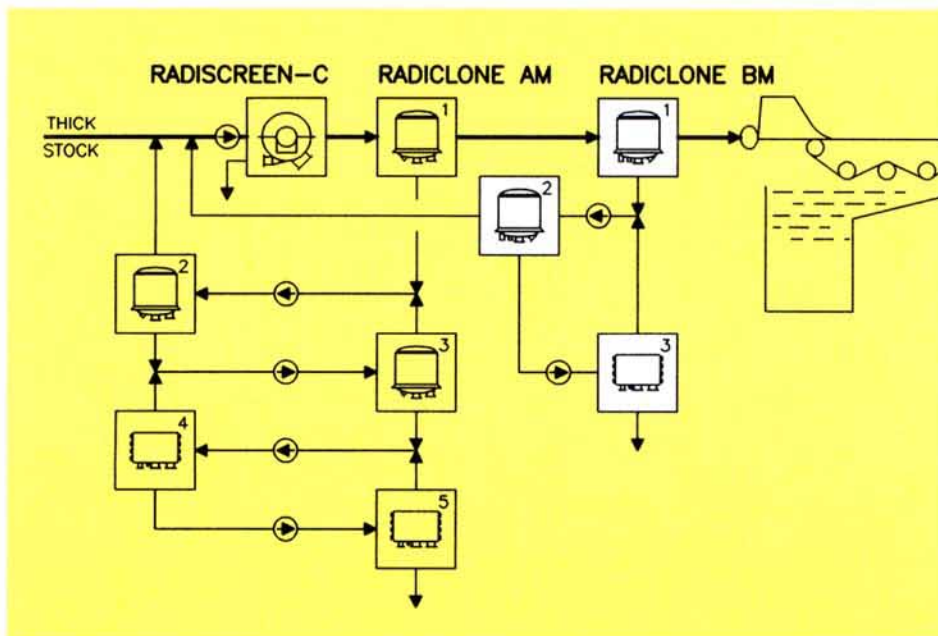
With a pressure drop range of 150 to 200 kPa (22 - 29 psi), the RADICLONE BM80 has a very low energy consumption per ton of manufactured pulp or paper (kWh/ton).

SIZE	Capacity		H		Feed		Accept		Reject		R-bleed	
	l/min	USGPM	mm	in	mm	in	mm	in	mm	in	mm	in
BM80-50	4 600	1 215	920	36	250	10	250	10	100/200	4/8	40	1.5
BM80-75	6 900	1 823	1 035	41	250	10	250	10	100/200	4/8	40	1.5
BM80-100	9 200	2 430	1 150	45	250	10	250	10	100/200	4/8	40	1.5
BM80-125	11 500	3 038	1 250	49	400	16	350	14	200/350	8/14	40	1.5
BM80-150	13 800	3 646	1 380	54	400	16	350	14	200/350	8/14	40	1.5
BM80-175	16 100	4 253	1 495	59	400	16	350	14	200/350	8/14	40	1.5
BM80-200	18 400	4 861	1 610	63	400	16	350	14	200/350	8/14	40	1.5
BM80-250	23 000	6 076	1 840	72	400	16	350	14	200/350	8/14	40	1.5
BM80-300	27 600	7 291	2 070	81	600	24	400	16	250/400	10/16	40	1.5
BM80-350	32 200	8 506	2 300	91	600	24	400	16	250/400	10/16	40	1.5
BM80-400	36 800	9 722	2 530	100	600	24	400	16	250/400	10/16	40	1.5
BM80-450	41 400	10 937	2 760	109	600	24	400	16	250/400	10/16	40	1.5
BM80-500	46 000	12 152	2 990	118	600	24	400	16	250/400	10/16	40	1.5
BM80-550	50 600	13 367	3 220	127	600	24	400	16	250/400	10/16	40	1.5
BM80-600	55 200	14 582	3 450	136	600	24	400	16	250/400	10/16	40	1.5

Radiclone BM80 is covered by several patents.



Radiclone BM80 system



The RADICLONE BM80 system is installed for the efficient separation of lightweight contaminants such as plastics, styrofoams, hot melt, waxes and shives.

When integrated with a RADICLONE AM80 system, the consistency of the accepts from the RADICLONE AM80 system is increased in the primary RADICLONE BM80 by 1.5 to 3 times. The thickened accept stock from the RADICLONE BM80 is then sent directly to the machine headbox without further dewatering devices.

RADICLONE BM80 systems with innovative automation are extremely reliable and have low operating and maintenance costs.